

Honeywell

SMALL PRECISION
LIMIT SWITCH

CATALOGUE LISTING
914CE SERIES
CHART MTG-CE-52

SWITCH TYPE	ISSUE	RELEASE NUMBER	OPTIONS	DIFF. TRAVEL (MAX.)	OPERATING FORCE (MAX.)		RELEASE FORCE (MIN)		OPERATING POSITION	MAX FREE LENGTH
					NEWTONS	GMF	NEWTONS	GMF		
914CE1	1		G, H, L	0.1	11.8	1200	4.4	450	15.7±1.0	54
			K, V	0.1	22.5	2300				
914CE2	2		G, H, L	0.1	11.8	1200	4.4	450	28.5±1.0	67
914CE3			K, V	0.1	22.5	2300				
914CE18	1		G, H, L	0.1	22.5	2300	4.4	450	24.9±1.0	63
914CE19			G, H, L	0.1	11.8	1200	4.4	450	ADJUSTABLE 32 TO 39	77.4
914CE22			G, H, L	0.1	9	920	3	300	27.4 MAX	64.1
914CE27	1	MS11630	G, H, L	0.1	11.8	1200	4.4	450	29.3±1.0	67.2
914CE28	1	MS11475	G, H, L	0.1	11.8	1200	4.4	450	42.5±1.0	81
914CE29	1	MS11588								
914CE31			G, H, L	0.1	17.5	1800	4.4	450	34.4±1.0	73
914CE55			G, H, L	0.1	11.8	1200	4.4	450	24.4±1.0	63
914CE66										

914 CE SERIES
CHART MTG-CE-52

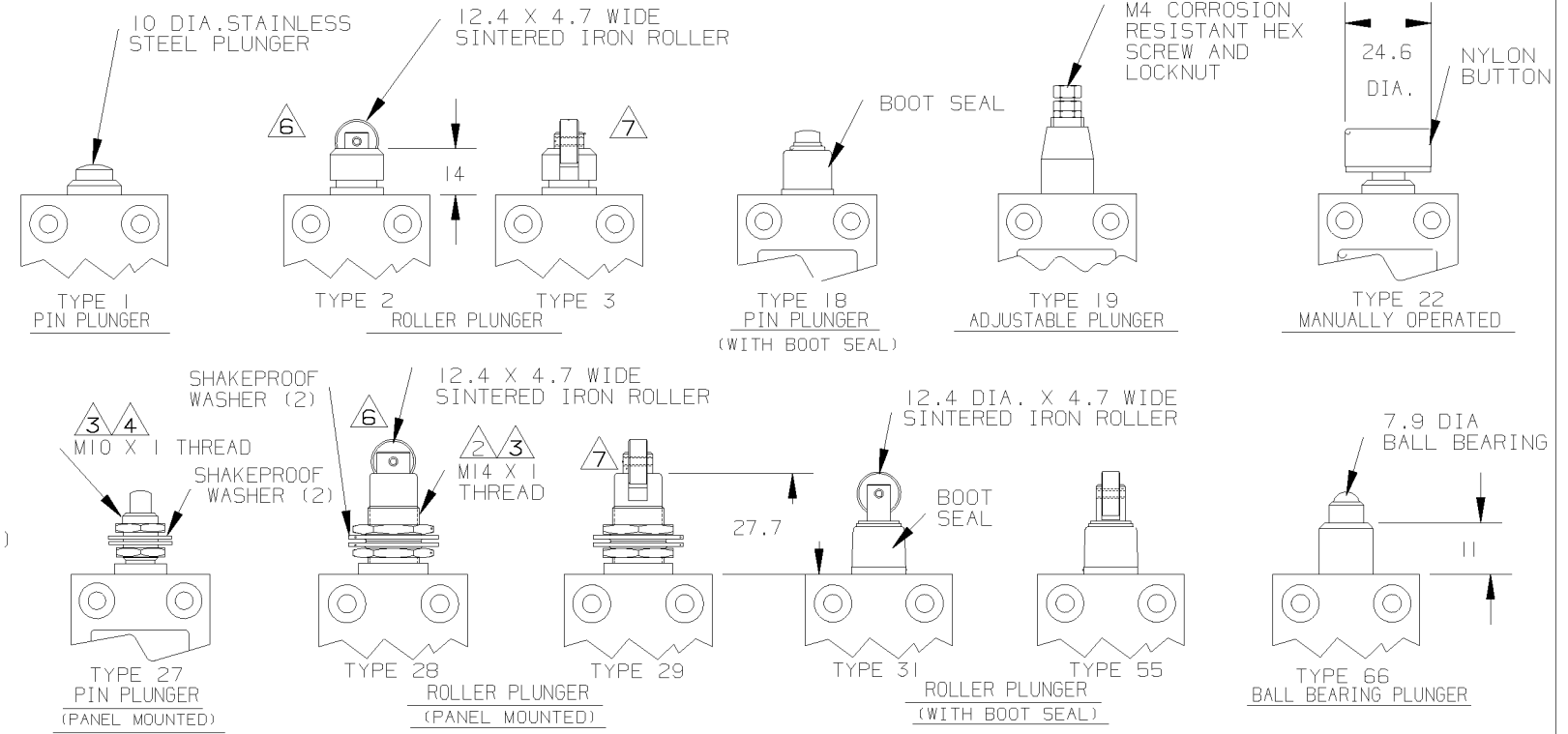
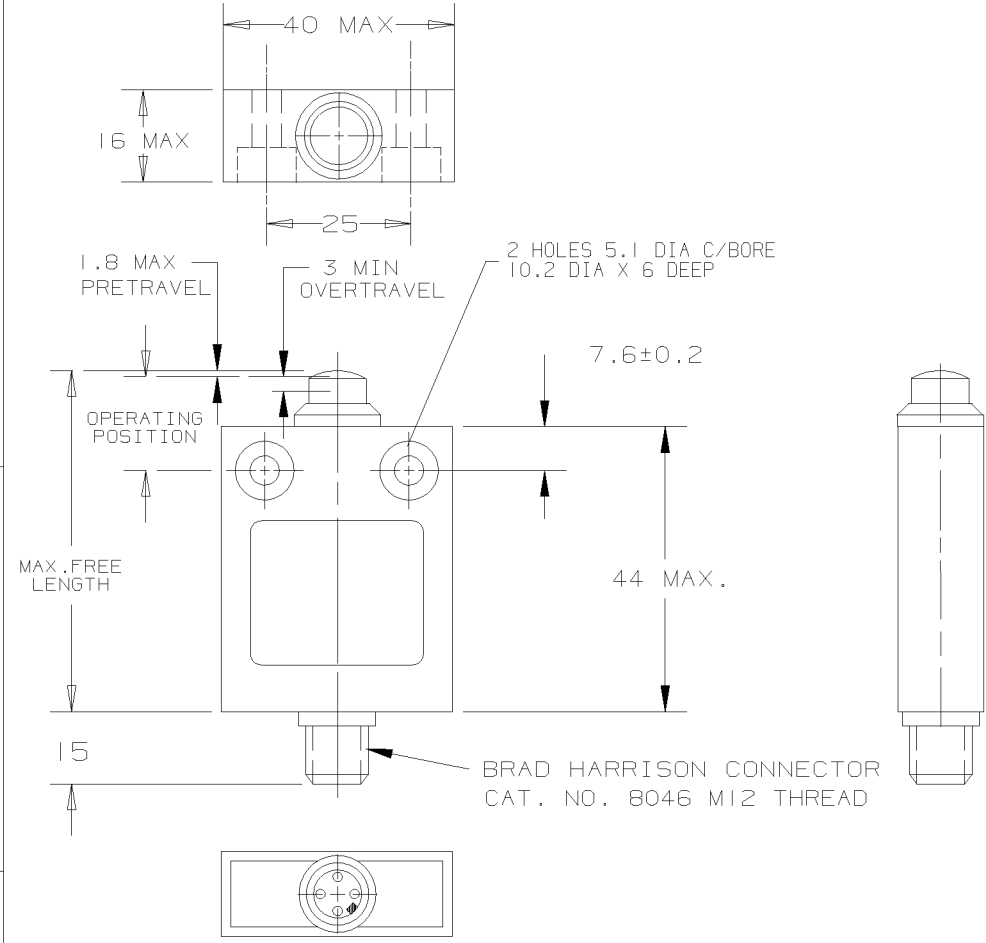
REPLACES

MS11280

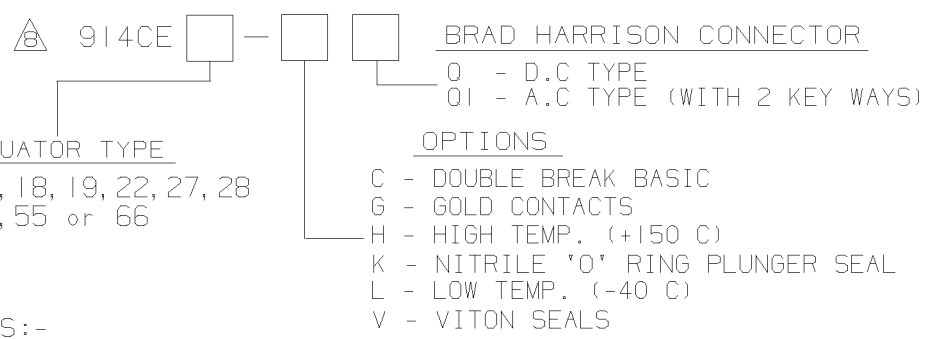
REVISIONS

2	29.5.89	CN-14214
3	6.5.90	MS11475
4	4.2.91	MS11588
5		
6	21.6.91	MS11627
7	11.10.91	MS11630
8	11.2.92	MS11659
9	23/2/94	CN15441
10	23/8/95	MS11915
		CN-16516

DRAWN PC 11-4-89
HW



CATALOGUE LISTING CONVENTION



NOTES:-

- 1 : DIE CAST HOUSING FINISHED IN GREY PAINT
- 2 : SWITCH MOUNTS THROUGH A 14,5 DIA HOLE
- 3 : MAXIMUM PANEL THICKNESS = 4,2
- 4 : SWITCH MOUNTS THROUGH 10.5 DIA HOLE
- 5 : TEMPERATURE RANGE : 0 C TO +70 C (STANDARD)
- 6 : ROLLER PARALLEL WITHIN 3 TO MOUNTING FACE
- 7 : ROLLER PERPENDICULAR WITHIN 3 TO MOUNTING FACE
- 8 : ALL LOGICAL LISTINGS ARE IEC 947-5-1 APPROVED EXCEPT: OPTIONS C, G.

DIMENSIONS ARE IN MILLIMETRES
UNLESS OTHERWISE SPECIFIED
TOLERANCES ARE +/- 0.15

PLOT SCALE 1:1

ELECTRICAL RATING		CIRCUIT DIAGRAM	CONNECTOR
SILVER CONTACTS 3A - 250VAC LR15775	IEC947-5-1 EN60947-5-1 AC14 D300 DC13 R300	S.P.D.T. 	
GOLD CONTACTS 1A - 125VAC LR15775		NOTE :- COMMON- RED W/ BLACK TRACE NORMALLY OPEN- REN W/WHITE TRACE NORMALLY CLOSED- RED GROUND- GREEN	

